

LightCraft

12m Pilot / Workboat



SCY Design

48 Sweetgum St, Ashmore Qld 4214, Australia
Ph: (617) 5597 3521 www.scy.net.au

LightCraft

12m Pilot / Workboat



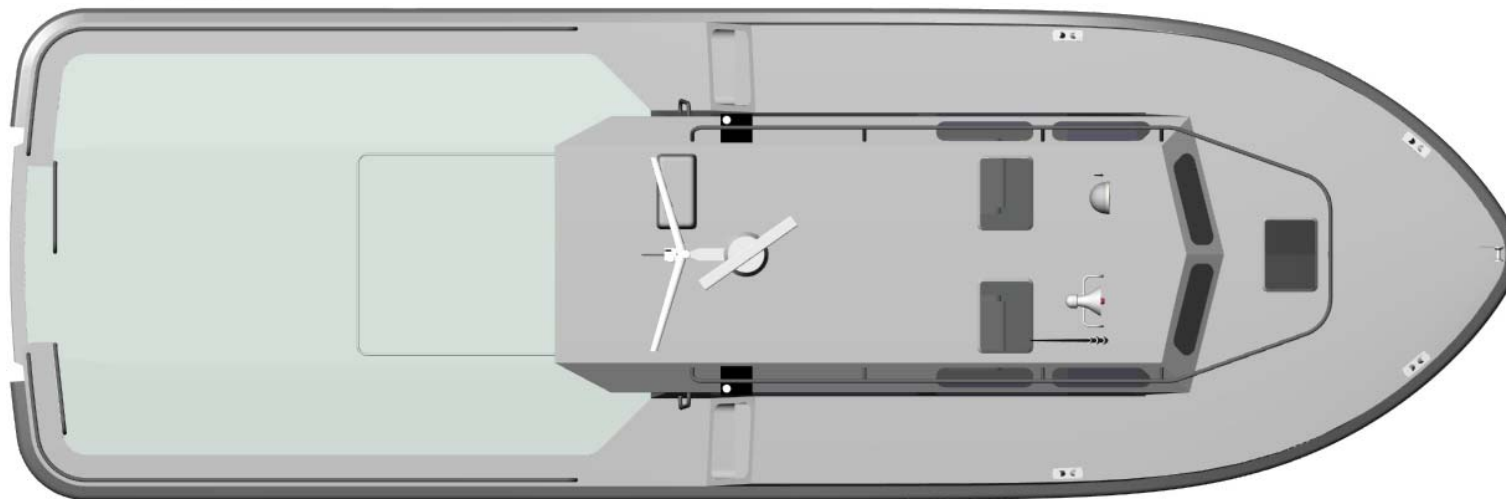
SCY Design

48 Sweetgum St, Ashmore Qld 4214, Australia
Ph: (617) 5597 3521 www.scy.net.au



LightCraft

12m Pilot / Workboat



LOA : 12.2m
Lmoulded: 11.9m
LWL : 11.4m
Beam : 4.0m
Bmoulded : 3.7m
Draft : 1.0m
Deadrise: 15deg.

Class Standard :
DNV R3 Workboat
Survey : NSCV 2C
12+2

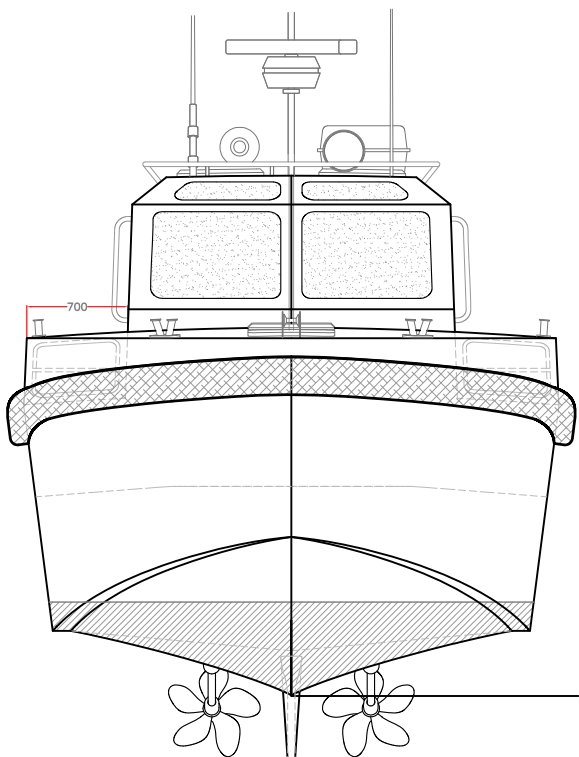
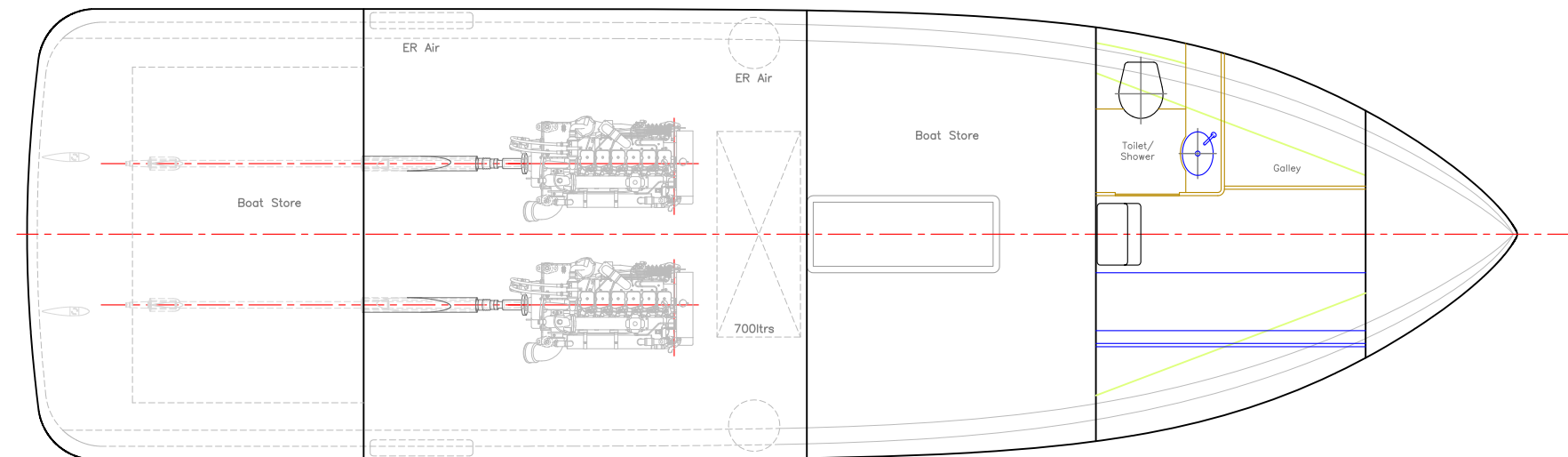
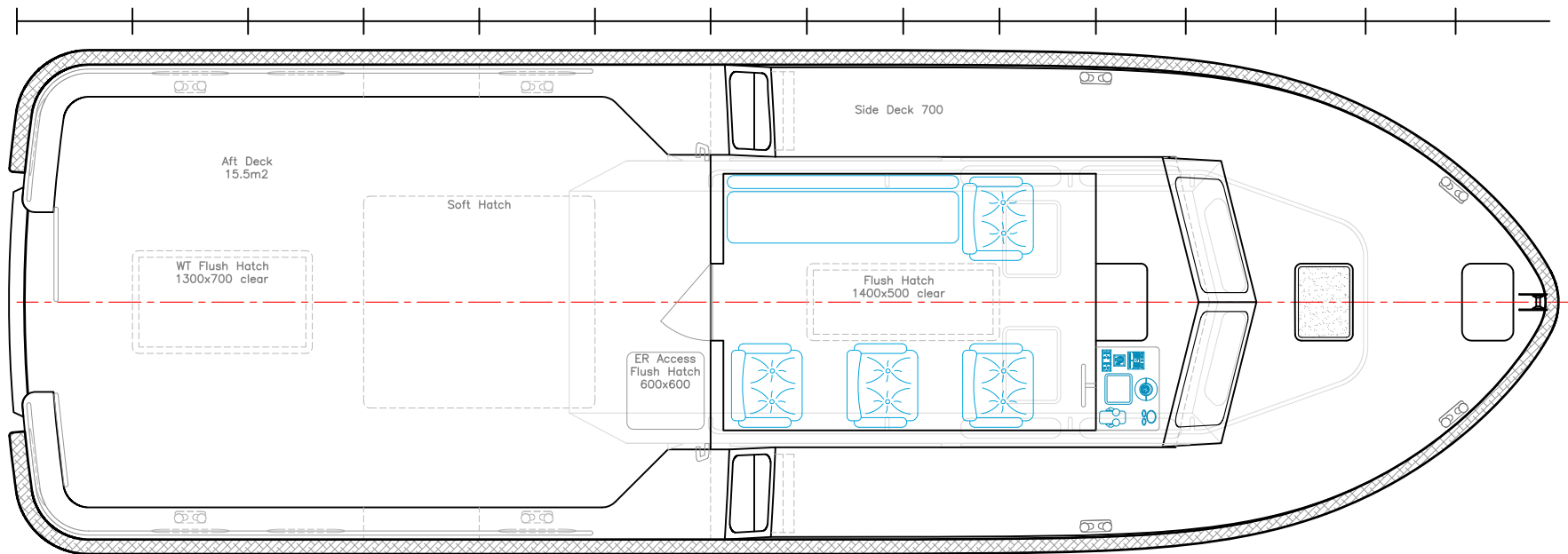
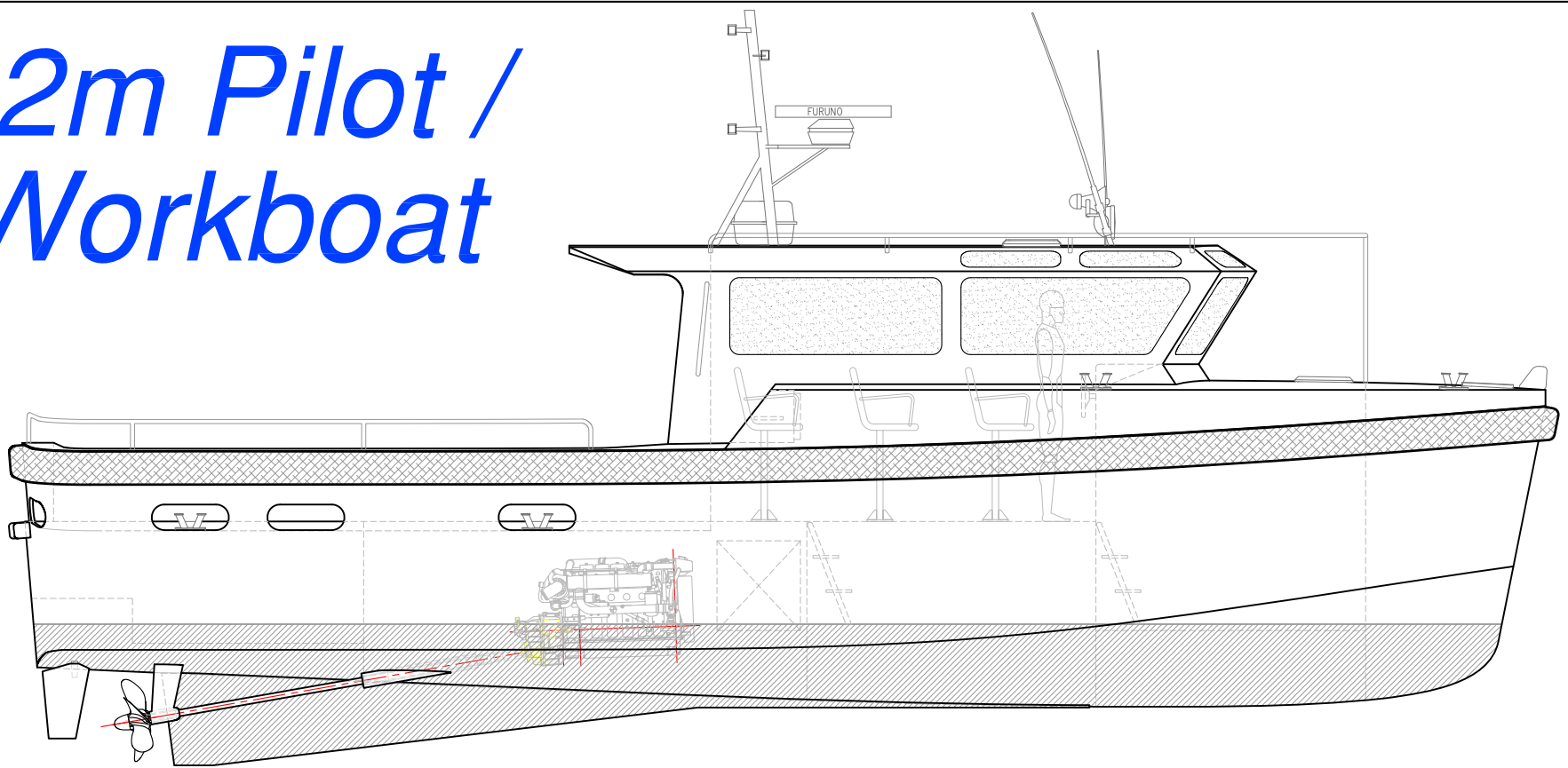
Construction :
Marine Grade Aluminium



SCY Design

48 Sweetgum St, Ashmore Qld 4214, Australia
Ph: (617) 5597 3521 www.scy.net.au

12m Pilot / Workboat



LOA: 12.2m
 Lmoulded: 11.9m
 LWL: 11.4m
 BEAM: 4.0m
 Bmoulded: 3.7m
 DRAFT: 1.0m
 DEADRISE: 15deg.
 FUEL: 1x700ts

MAIN ENGINES: 2 x Yanmar 6LYA-STP
 271kW @ 3300rpm
 GEARBOX: 2 x ZF280-1 A
 PROPELLER: 2 x 26"

SPEED-max: 30knots (1.3t dwt)
 SPEED-cruise: 20knots (1.3t dwt)
 RANGE-cruise: 240nm

CLASS STANDARD:
 DNV R3

SURVEY: NSCV 2C
 12+2 Offshore Operations 30nm

CONSTRUCTION:
 MARINE GRADE ALUMINIUM

FENDER DETAIL:
 Hippo Marine CFT24
 Closed Cell Foam Coated with
 Elastomeric Polyurethane
 External dims 215x125

LightCraft
 aluminium workboats

VESSEL: 12m Pilot / Workboat

TITLE: GENERAL ARRANGEMENT

DWG No: 12PW

DATE: 29/10/2010

SCALE:

DRAWN: MDW

copyright ©

THIS DRAWING AND THE INFORMATION CONTAINED HEREON IS SUPPLIED ON THE UNDERSTANDING THAT IT IS THE EXCLUSIVE PROPERTY OF SOUTHPORT CUSTOM YACHTS PTY. LTD. AND MUST NOT BE USED OR REPRODUCED IN WHOLE OR IN PART WITHOUT PERMISSION IN WRITING.

SCY DESIGN

Consulting Naval Architects & Mechanical Engineers
 48 Sweetgum St, Ashmore, Queensland 4214, Australia
 Ph: 617 5597 3521 www.scy.net.au