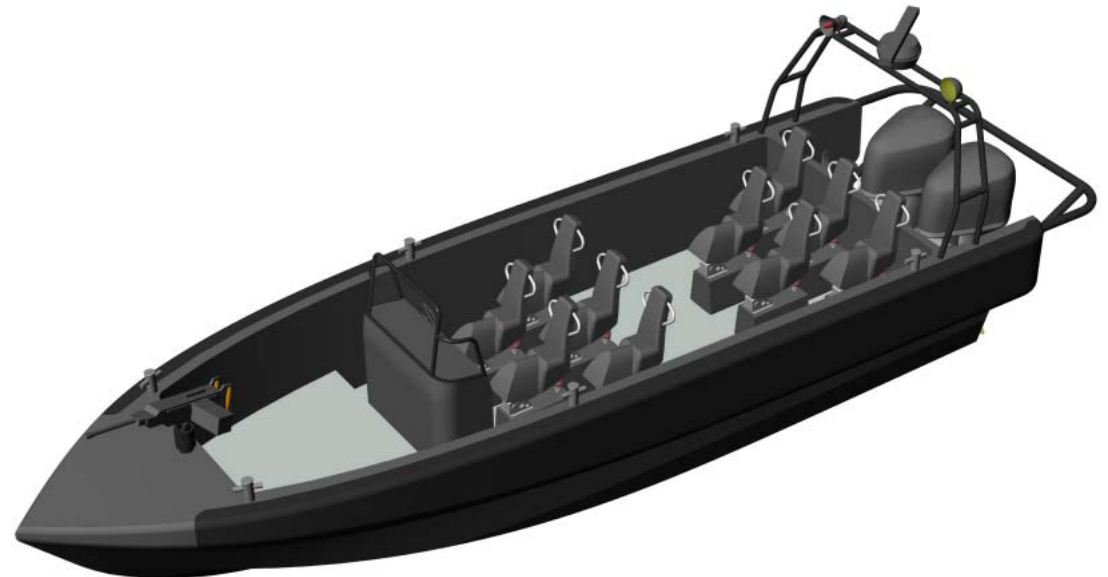
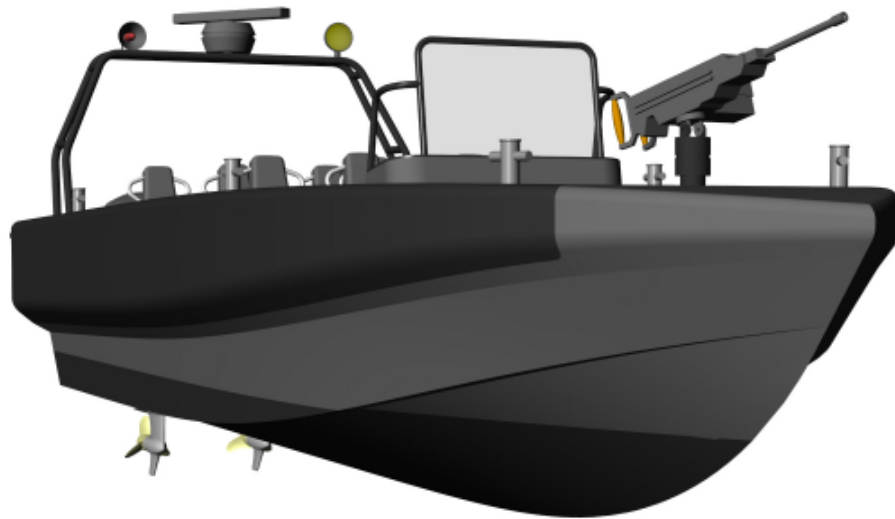
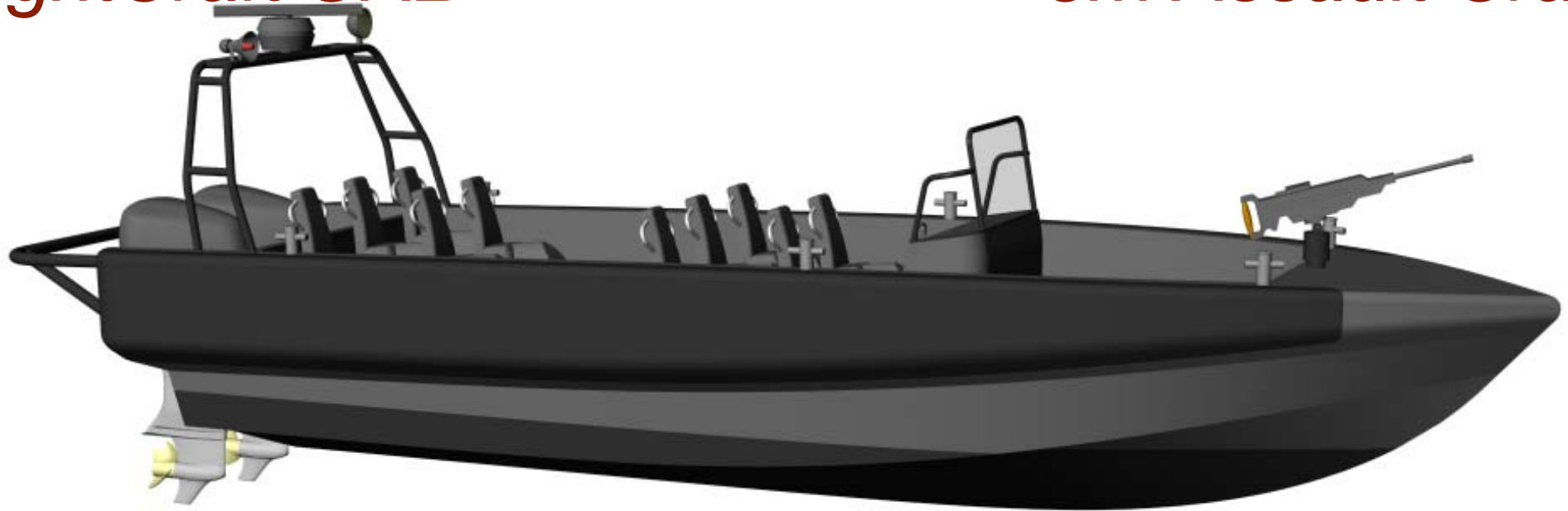


LightCraft SRB

8m Assault Craft



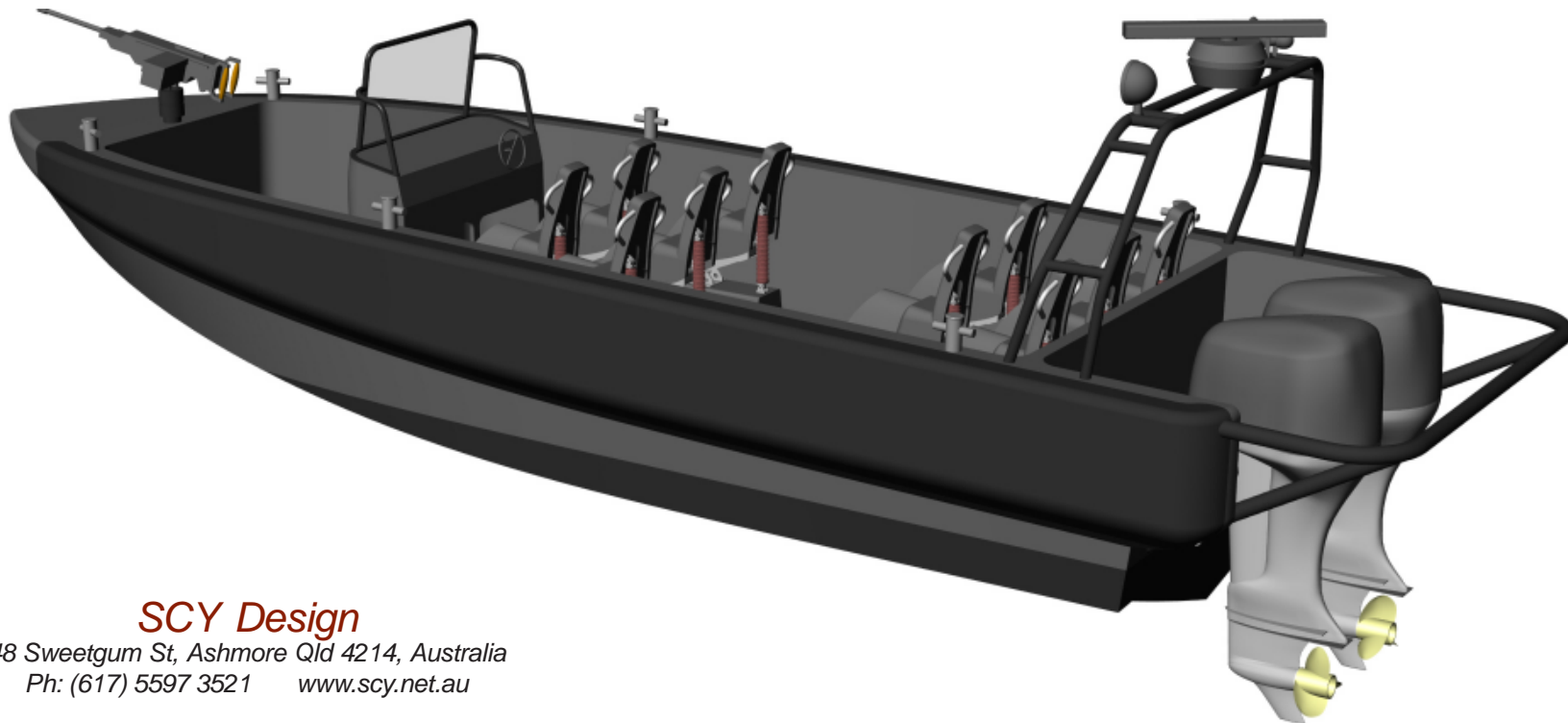
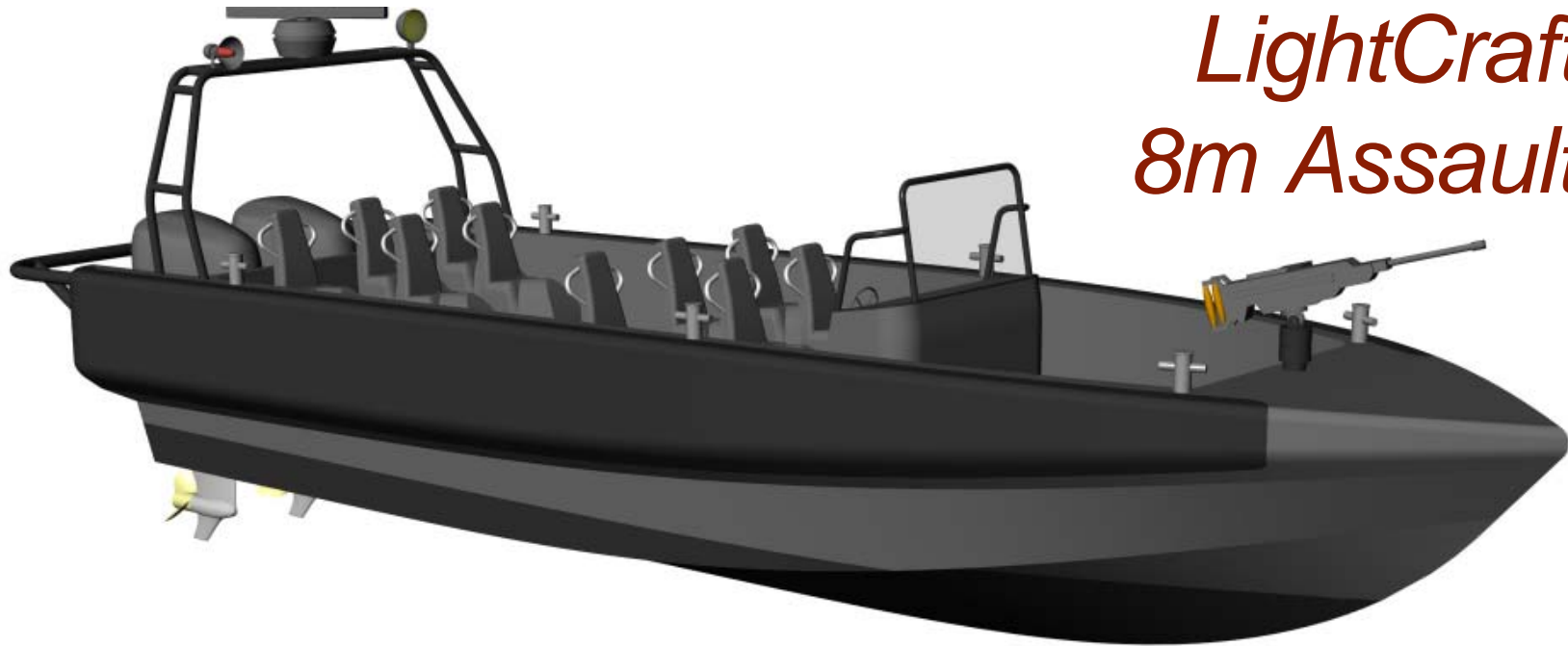
SCY Design

48 Sweetgum St, Ashmore Qld 4214, Australia

Ph: (617) 5597 3521 www.scy.net.au



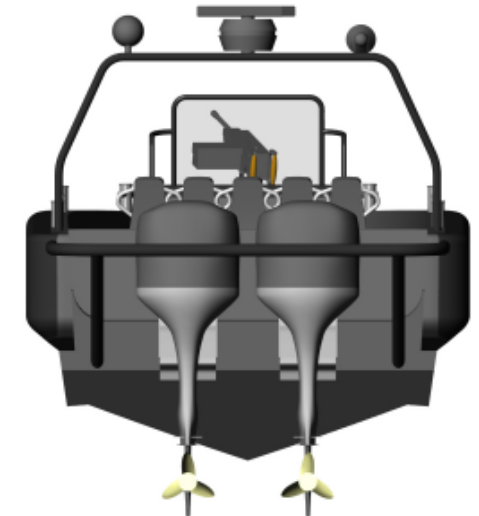
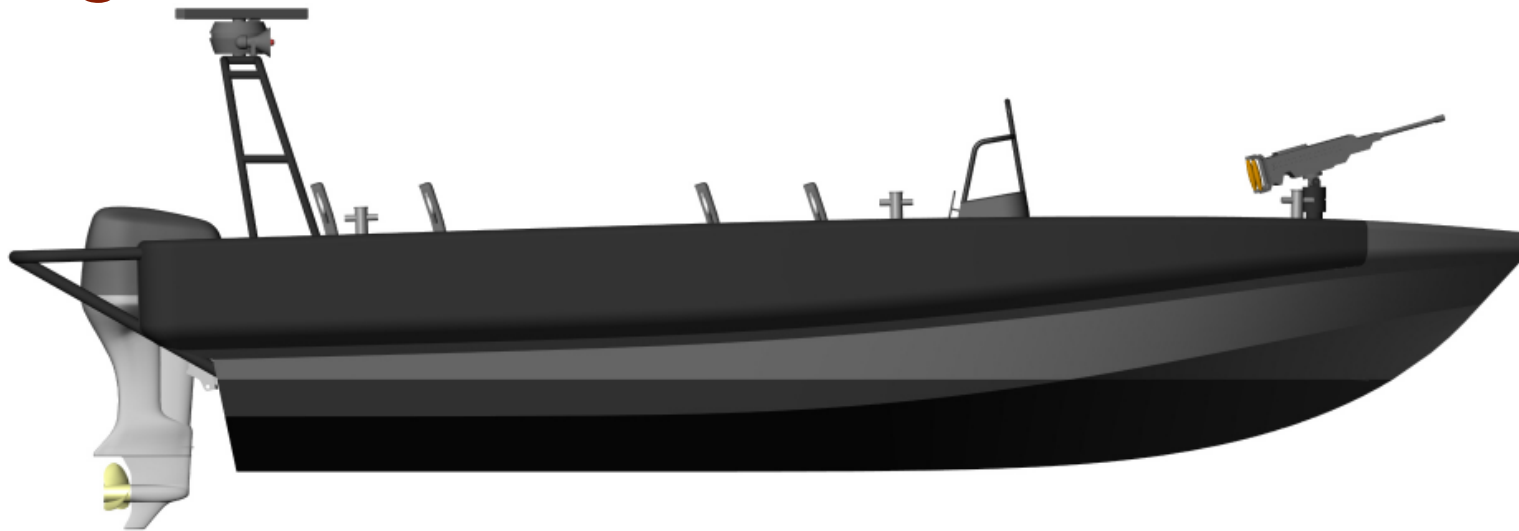
LightCraft SRB 8m Assault Craft



SCY Design
48 Sweetgum St, Ashmore Qld 4214, Australia
Ph: (617) 5597 3521 www.scy.net.au

LightCraft SRB

8m Assault Craft



LOA : 9.1m
Lmoulded: 8.0m
LWL : 6.9m
Beam : 2.7m
Draft : 0.5m

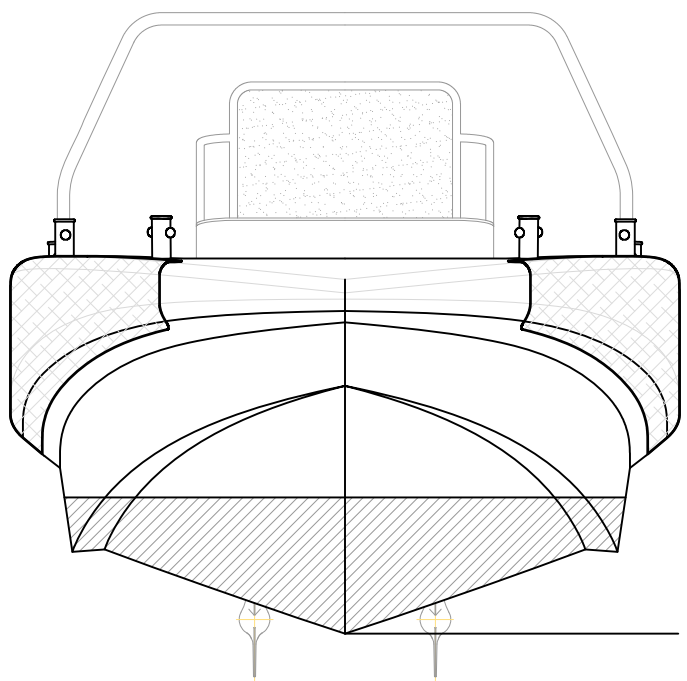
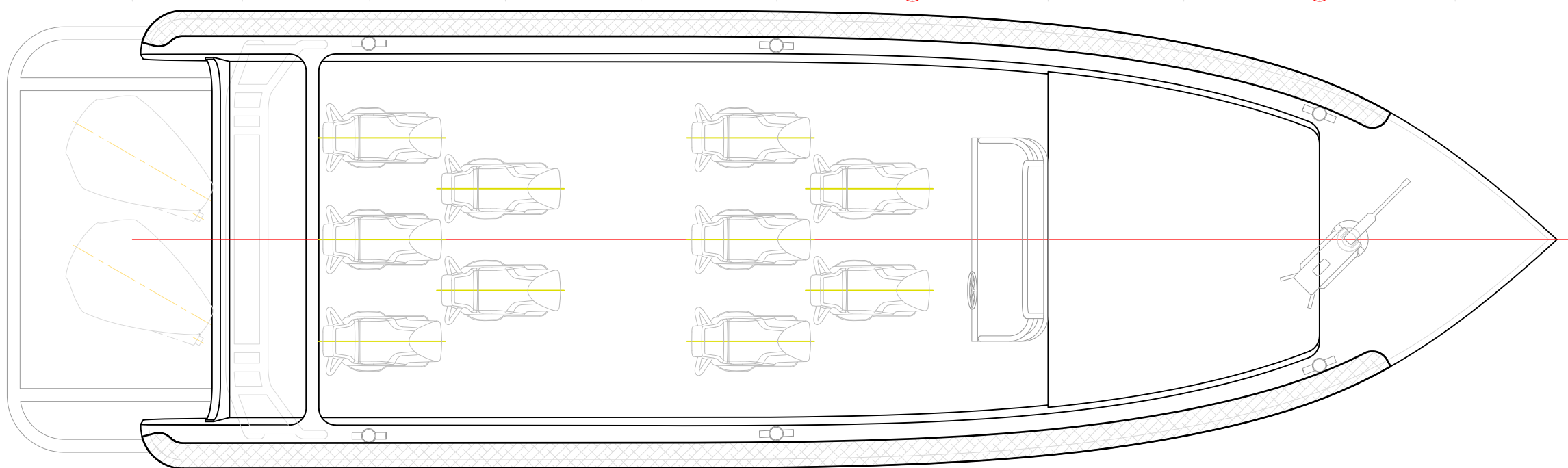
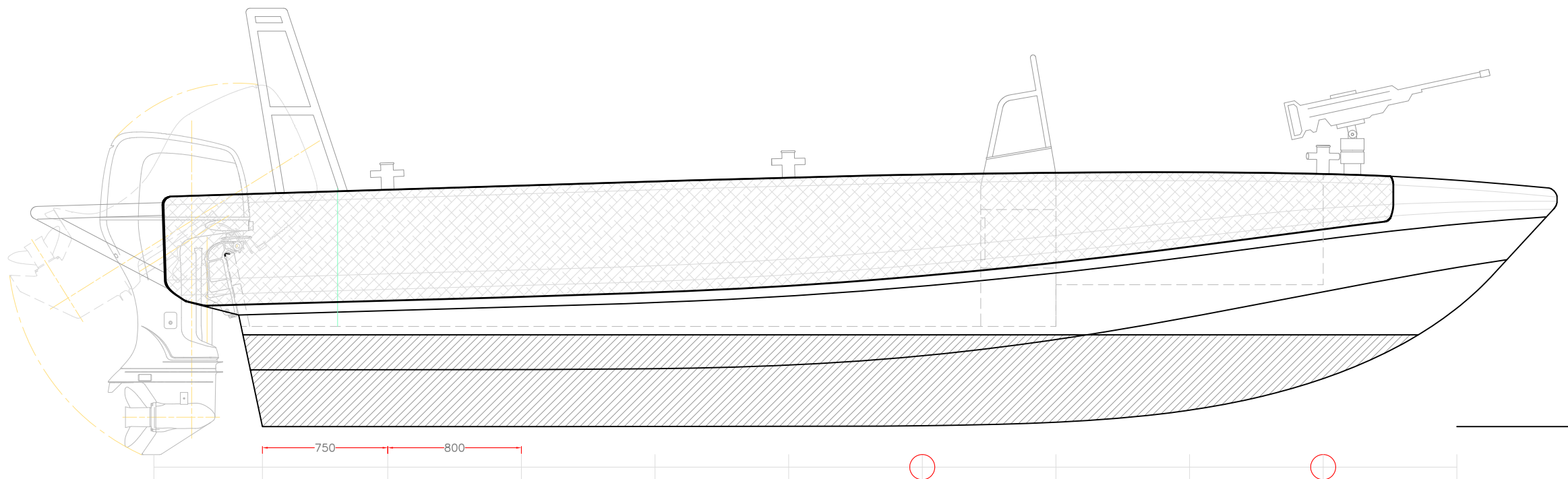
Deadrise: 20deg.
Fuel : 500lts
Power : 2 x 300HP
Speed : 50knots

Classification :
DNV R2 PATROL

Construction :
Marine Grade Aluminium

SCY Design
48 Sweetgum St, Ashmore Qld 4214, Australia
Ph: (617) 5597 3521 www.scy.net.au





VESSEL: 8.4m ASSAULT CRAFT

TITLE: GENERAL ARRANGEMENT - CONTRACT

DWG No.: 8.4A-100

DATE: 11/10/2014

SCALE:

DRAWN: MDW

COPYRIGHT © THIS DRAWING AND THE INFORMATION CONTAINED HEREON IS SUPPLIED ON THE UNDERSTANDING THAT IT IS THE EXCLUSIVE PROPERTY OF SOUTHPORT CUSTOM YACHTS PTY. LTD. AND MUST NOT BE USED OR REPRODUCED IN WHOLE OR IN PART WITHOUT PERMISSION IN WRITING.

PRINCIPAL PARTICULARS

LOA: 9.1m
 Lmoulded: 8.0m
 Lwl: 6.9m
 Bmax: 2.7m
 Bmoulded: 2.6m
 Bchine: 2.2m
 DRAFT: 0.5m
 DEADRISE: 20 Degrees
 RESERVE BUOYANCY: 2.25m³

SPEED: 50knots
 FUEL: 550lts
 POWER: 2x300hp
 PAX: 2 + 8

CLASSIFICATION: DNV R2 PATROL
 CONSTRUCTION: MARINE GRADE ALUMINIUM

FENDER DETAIL:
 45mm EVA foam coated with
 4mm Elastomeric Polyurethane
 Depth 650mm aft

SEATING:
 Ullman Biscaya
 with Storage Pod
 12+2

8m SRB Assault Craft

GENERAL VESSEL DESCRIPTION

VESSEL TYPE:

High Speed Aluminium hard chined planing monohull. Suitable for a wide range of applications including military, search and rescue, law enforcement, commercial, and pleasure. The lightweight Aluminium structure is designed to the highest standard for extreme offshore applications. Structural reserve buoyancy (SRB) above deck in aluminium side tanks. Deck layout can be varied to meet client requirements, standard options include; centre console, targa tops, walkaround half cabin, walkaround hardtop and full cabin.

PRINCIPAL PARTICULARS

LOA :	9.10m		
Lmoulded :	8.08m		
LWL :	6.83m		
Beam Max :	2.7m	Beam Chine :	2.2m
Beam Moulded :	2.6m	Beam Internal :	2.2m
Draft :	0.5m	Freeboard (fwd):	1.3m
Dearise:	20deg		
Trsm Depth:	30inch		
Fuel :	500 lts		
Construction :	Marine Grade Aluminium		
Classification :	DNV R2 PATROL		
Main Engines :	2 x 300HP Outboards		
Max Speed :	50 knots @ 100% MCR		
Range :	150nm +		
Max Load :	2000kg		
Passenger :	2 + 8		

FUEL TANK DETAILS:

Petrol: Aluminium Free standing

FENDER DETAIL:

45mm EVA foam coated with 4mm Elastomeric Polyurethane, Depth 650mm aft
Reserve Volume above deck: 2.25m³

STRUCTURE:

Materials:
Sheet and Plate Grade 5083-H321, H116, 5086-H32
Extrusions Grade 6061-T6, 6082-T5

Plating:	Bottom	5mm
	Chine	5mm
	Transom	5mm
	Side, Collar	4mm
	Deck, Gunwale	4mm

